



Incognito

Specification Guide

Heading

Incognito table and desk bases accommodate tops of infinite length and are ideal for all work surface requirements including desks, meeting tables, boardroom tables and occasional tables.

Incognito

Round/Square

6–7



Meeting Tables

8–10



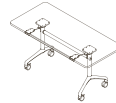
Multi-Leg

11–12



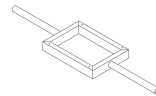
Folding

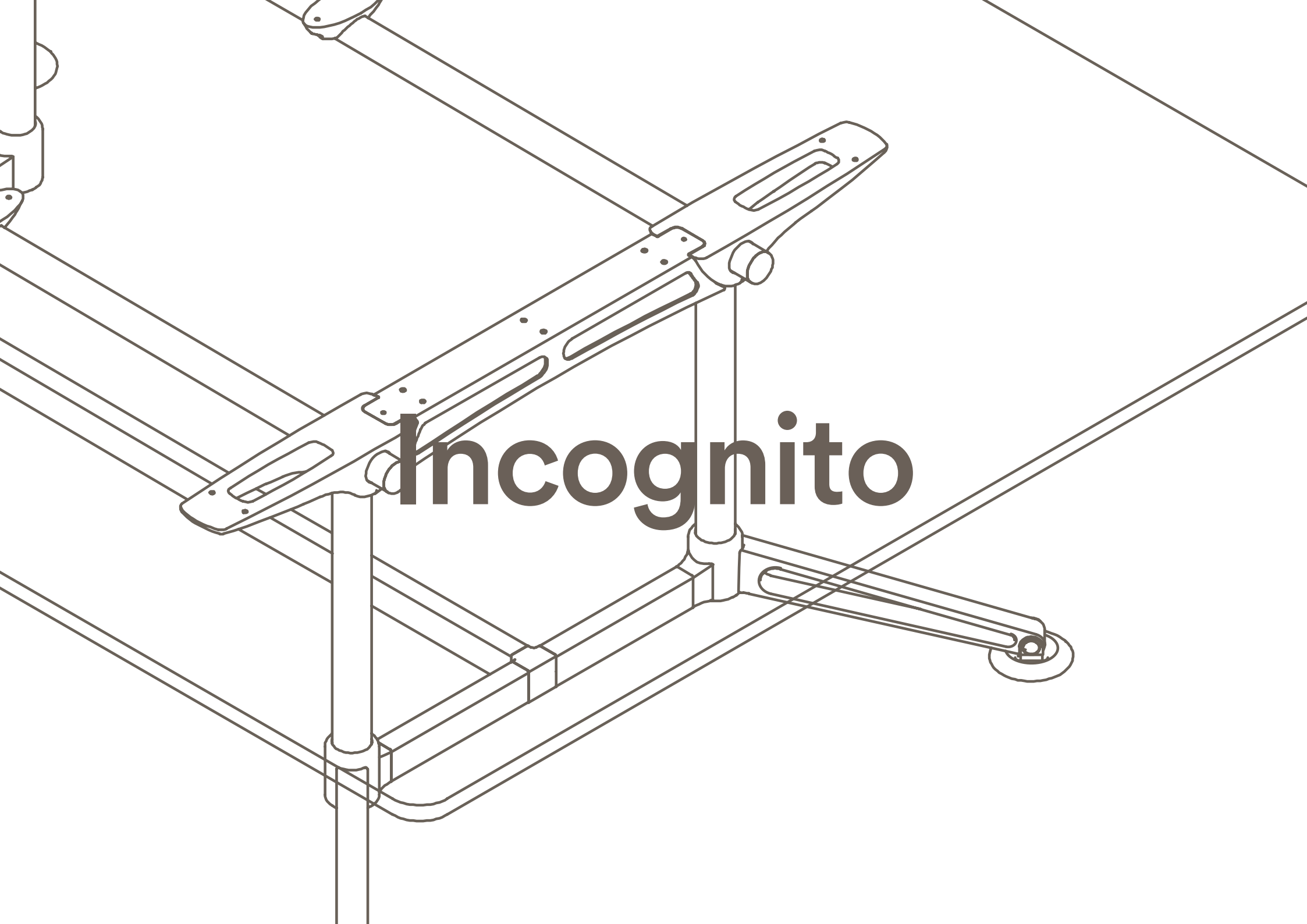
13



Features

14–15



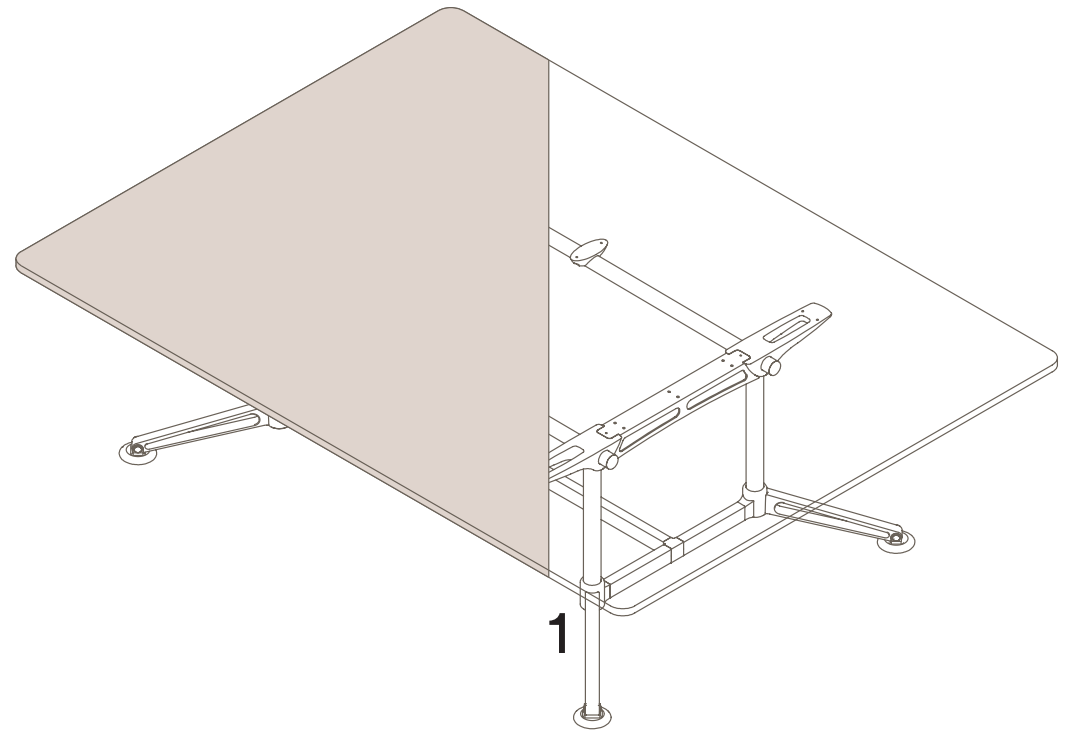


Incognito

Multi-Leg Finishes

1. Frame Finishes

Incognito steel frame is available in our current season powdercoat colours listed. Custom colours are also available.



Colours are representative only, please check with your Thinking Works consultant to view samples of any specific colour.

Tables

Round / Square

Materials Information

Leg Finish

Steel Leg Column

- a. Zanilla
- b. Pink Salt
- c. Nocturnelle
- d. Minted
- e. Scotland Sky
- f. Green Smoke
- g. Folie
- h. Axel
- i. Blanc
- j. Noir

Foot Finish

Aluminium Foot

- a. Polished - Standard
- b. Powdercoat - to match frame

Frame Finish

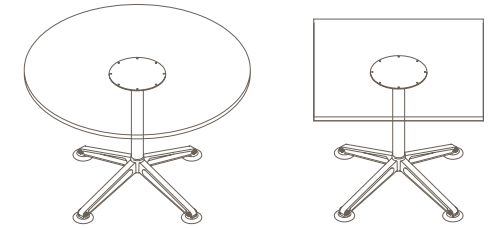
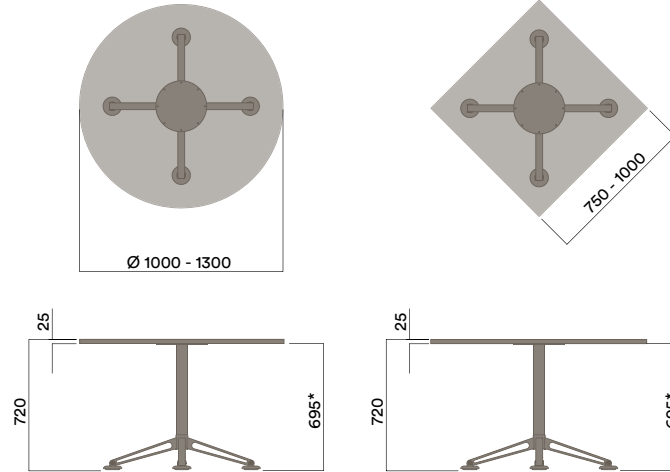
Steel Top Horn

- a. Black Powdercoat

* Maximum Custom Height 1000mm
 Maximum inc. worktop 40kg
 Maximum Point Load 50kg
 Seats 4

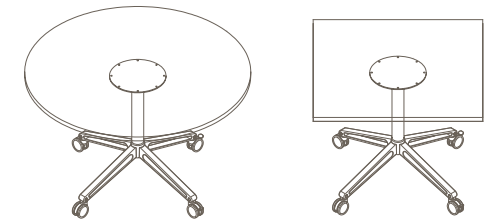
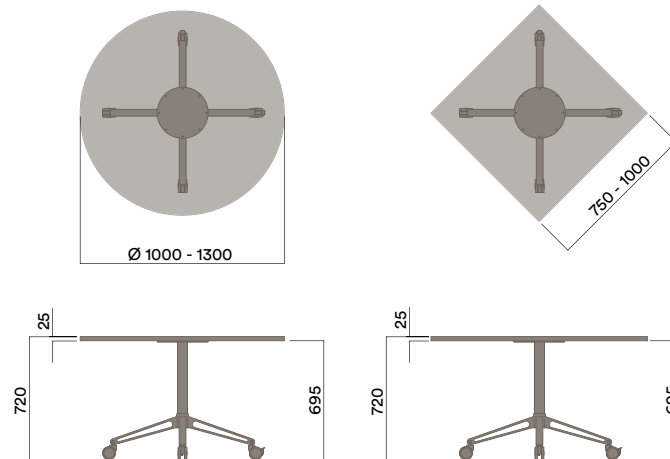
I2-1020

720 (standard Height)



I2-1021 Castors

720 (standard Height)



Tables

Round / Square

Materials Information

Leg Finish

Steel Leg Column

- a. Zanilla
- b. Pink Salt
- c. Nocturnelle
- d. Minted
- e. Scotland Sky
- f. Green Smoke
- g. Folie
- h. Axel
- i. Blanc
- j. Noir

Foot Finish

Aluminium Foot

- a. Polished - Standard
- b. Powdercoat - to match frame

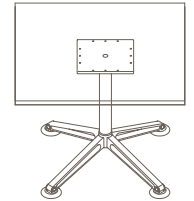
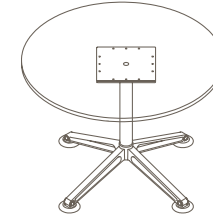
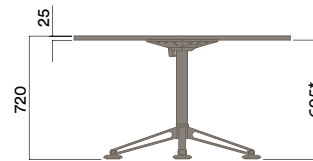
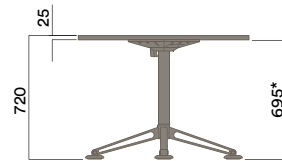
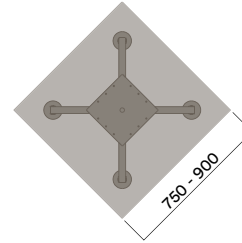
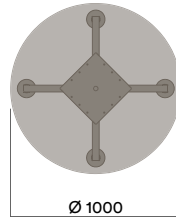
Frame Finish

Steel Top Horn

- a. Black Powdercoat

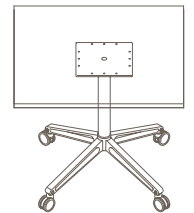
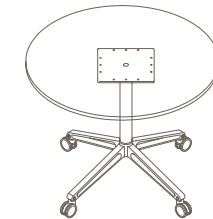
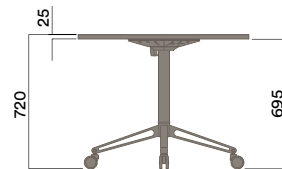
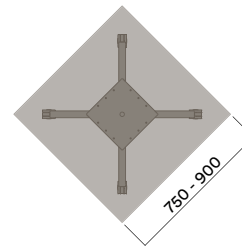
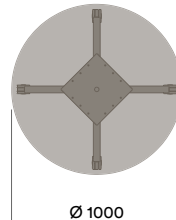
I2-1025 Folding

720 (standard Height)



I2-1026 Folding on Castors

720 (standard Height)



- * Maximum Custom Height 1000mm
- Maximum inc. worktop 40kg
- Maximum Point Load 50kg
- Seats 4

Tables

Rectangle

Materials Information

Leg Finish

Steel Leg Column

- a. Zanilla
- b. Pink Salt
- c. Nocturnelle
- d. Minted
- e. Scotland Sky
- f. Green Smoke
- g. Folie
- h. Axel
- i. Blanc
- j. Noir

Foot Finish

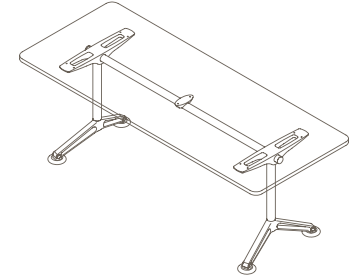
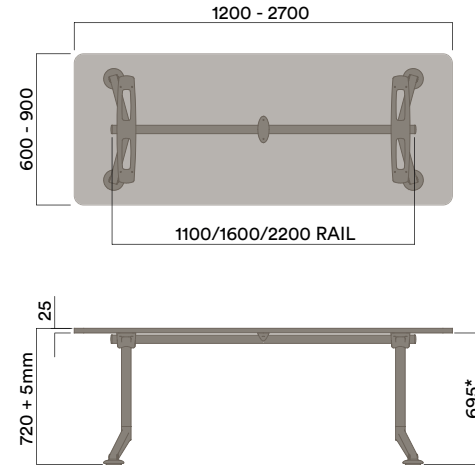
Aluminium foot

- a. Polished - Standard
- b. Powdercoat - to match frame

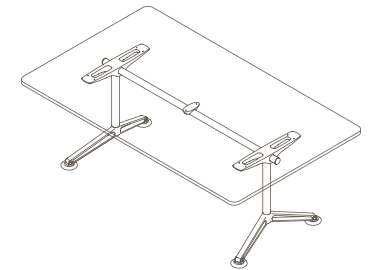
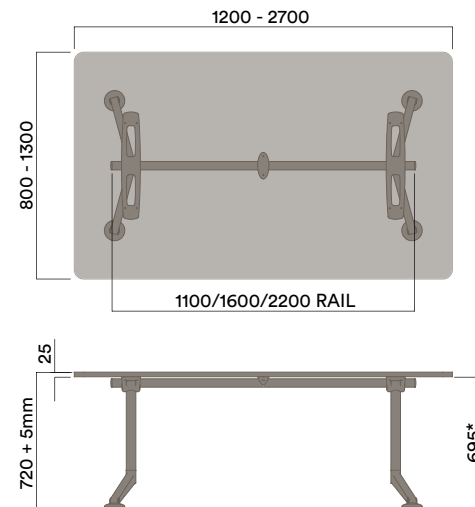
Frame Finish

Aluminium Top Horn - Polished
Steel Black Powdercoat Rails.

I2-1000 , I2-1001, I2-1002 720 (standard Height)



I2-1010, I2-1011, I2-1012 720 (standard Height)



* Maximum Custom Height 1000mm
Maximum inc. worktop 100kg
Maximum Point Load 50kg
Seats 4-6

Tables

Rectangle

Materials Information

Leg Finish

Steel Leg Column

- a. Zanilla
- b. Pink Salt
- c. Nocturnelle
- d. Minted
- e. Scotland Sky
- f. Green Smoke
- g. Folie
- h. Axel
- i. Blanc
- j. Noir

Foot Finish

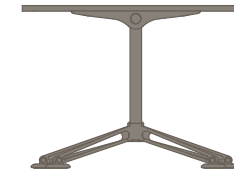
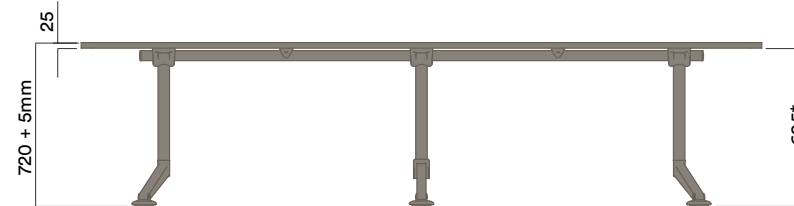
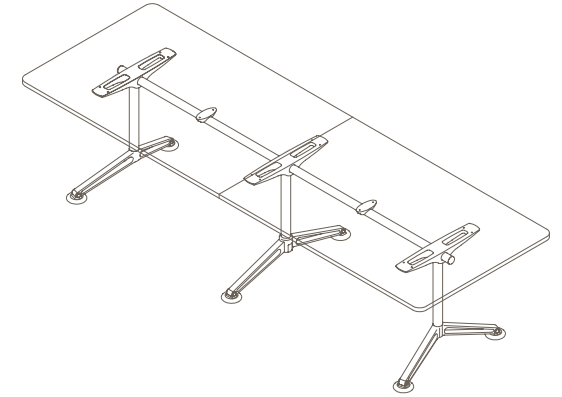
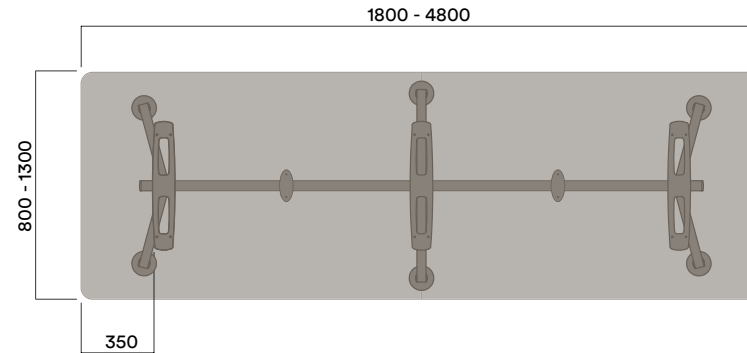
Aluminium foot

- a. Polished - Standard
- b. Powdercoat - to match frame

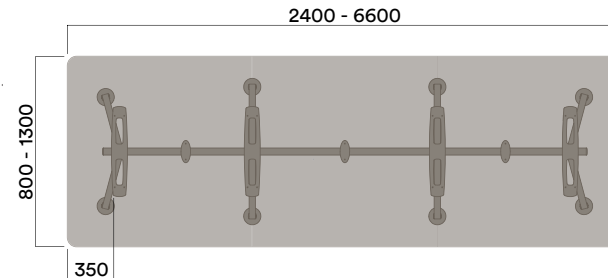
Frame Finish

Aluminium Top Horn - Polished
Steel Black Powdercoat Rails.

I2-1040



I2-1041



* Maximum Custom Height	1000mm
Maximum inc. worktop	130kg
Maximum Point Load	50kg
Seats	6-18

Tables Boatshape

Materials Information

Leg Finish

Steel Leg Column

- a. Zanilla
- b. Pink Salt
- c. Nocturnelle
- d. Minted
- e. Scotland Sky
- f. Green Smoke
- g. Folie
- h. Axel
- i. Blanc
- j. Noir

Foot Finish

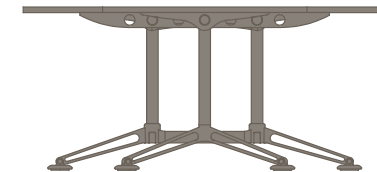
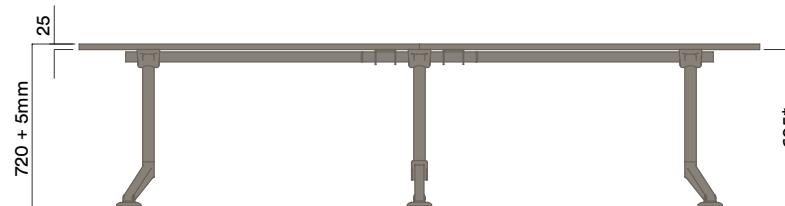
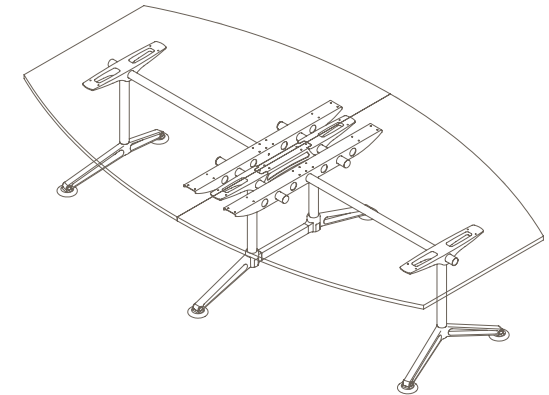
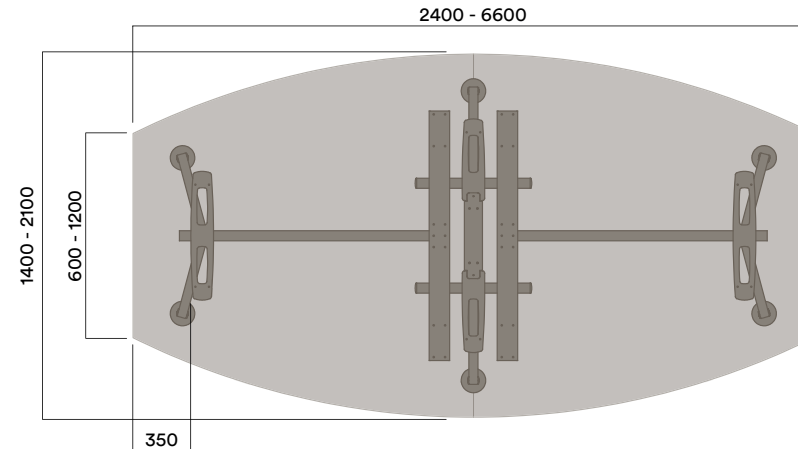
Aluminium foot

- a. Polished - Standard
- b. Powdercoat - to match frame

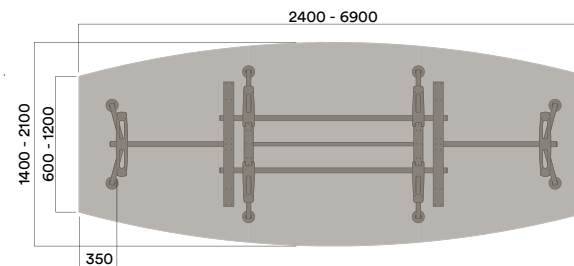
Frame Finish

Aluminium Top Horn - Polished
Steel Black Powdercoat Rails.

I2-1044



I2-1046



* Maximum Custom Height	1000mm
Maximum inc. worktop	160kg
Maximum Point Load	50kg
Seats	6-18

Multi-Leg Round/Square

Materials Information

I2-1070

Leg Finish

Steel Leg Column and Lower Frame

- a. Zanita
- b. Pink Salt
- c. Nocturnelle
- d. Minted
- e. Scotland Sky
- f. Green Smoke
- g. Folie
- h. Axel
- i. Blanc
- j. Noir

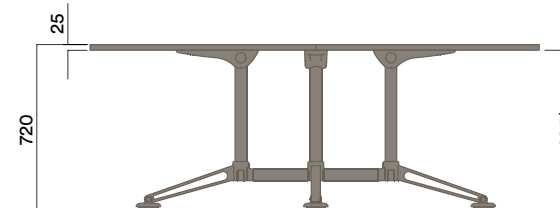
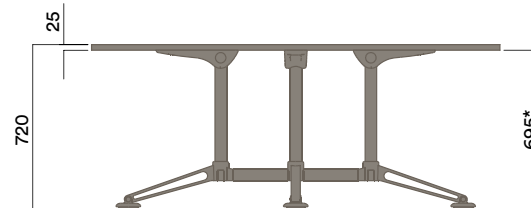
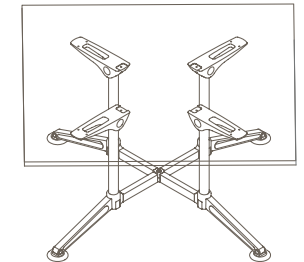
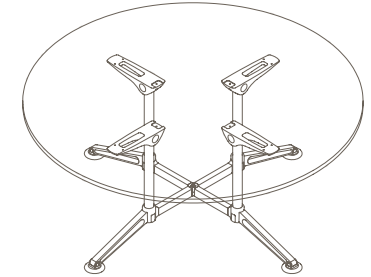
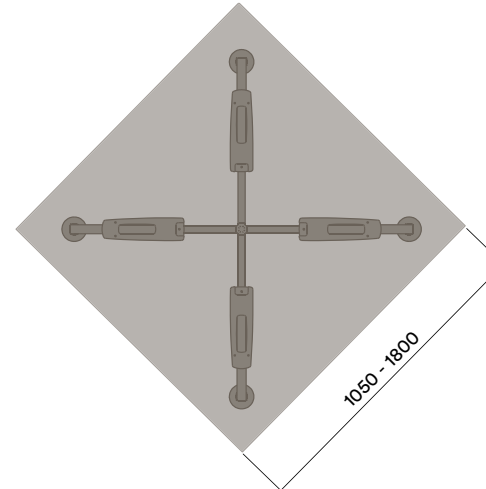
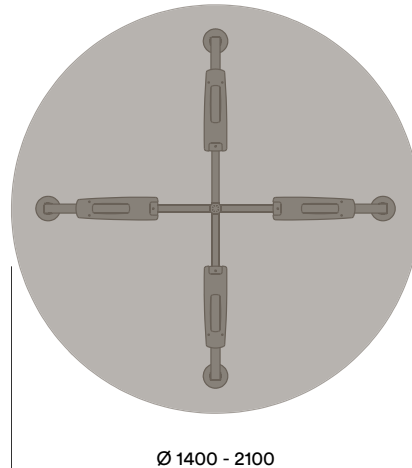
Foot Finish

Aluminium Foot

- a. Polished - Standard
- b. Powdercoat - to match frame

Frame Finish

Aluminium Top Horn - Polished



* Maximum Custom Height	1000mm
Maximum inc. worktop	80kg
Maximum Point Load	50kg
Seats	4-6

Multi-Leg Rectangle

Materials Information

Leg Finish

Steel Leg Column and Lower Frame

- a. Zanilla
- b. Pink Salt
- c. Nocturnelle
- d. Minted
- e. Scotland Sky
- f. Green Smoke
- g. Folie
- h. Axel
- i. Blanc
- j. Noir

Foot Finish

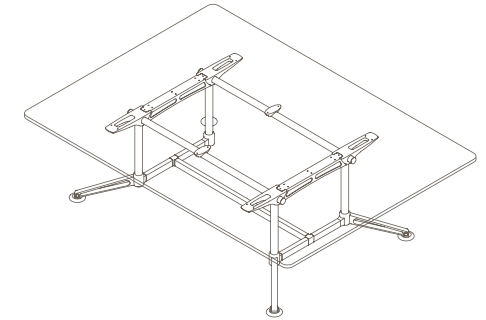
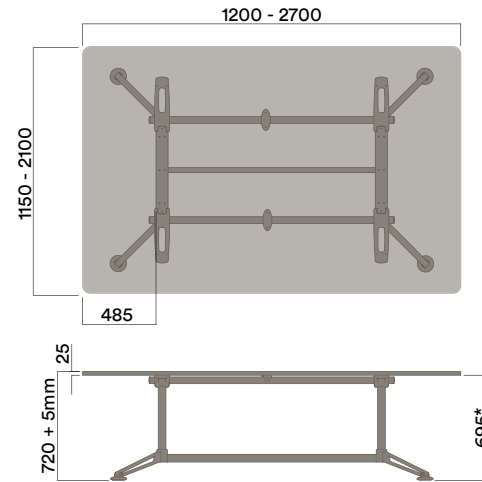
Aluminium Foot

- a. Polished - Standard
- b. Powdercoat - to match frame

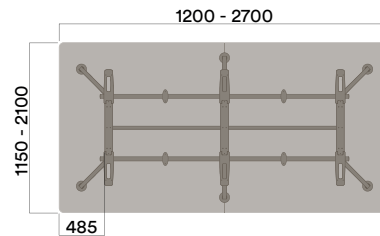
Frame Finish

Aluminium Top Horn - Polished
Steel Black Powdercoat Rails.

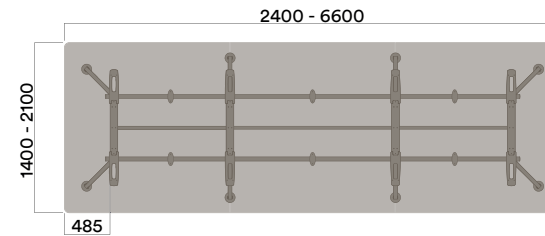
I2-1050 4 Leg



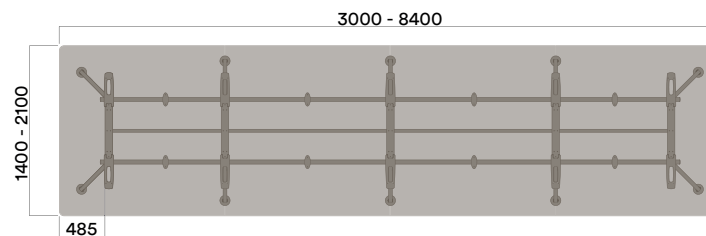
I2-1051 6 Leg



I2-1052 8 Leg



I2-1053 10 Leg



* Maximum Custom Height	1000mm
Maximum inc. worktop	160kg
Maximum Point Load	50kg
Seats	4-24

Tables Folding

Materials Information

Leg & Frame Finish

Steel Leg Column and Beam

- a. Zanilla
- b. Pink Salt
- c. Nocturnelle
- d. Minted
- e. Scotland Sky
- f. Green Smoke
- g. Folie
- h. Axel
- i. Blanc
- j. Noir

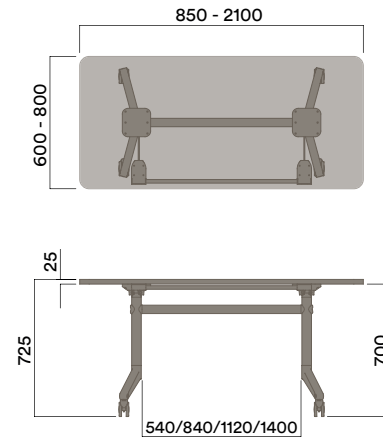
Foot Finish

Aluminium Foot

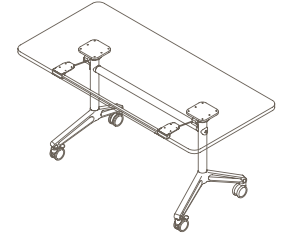
- a. Polished - Standard
- b. Powdercoat - to match frame

* Maximum Custom Height 1000mm
 Maximum inc. worktop 24kg
 Maximum Point Load 30kg
 Seats 4-6

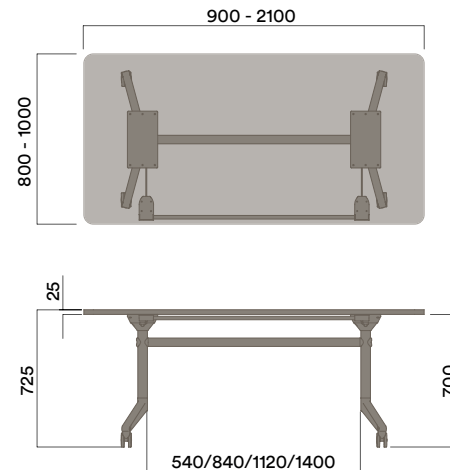
I2-1080 , I2-1082, I2-1084, I2-1086



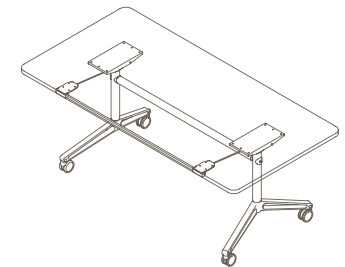
725 (standard Height)



I2-1081, I2-1083, I2-1085, I2-1087



725 (standard Height)



Tables Features

Materials Information

Frame Finish

Steel Slingshot

- Powdercoat - to match frame
- Steel Power/Data Beam
- Black Powdercoat

Powerbox Slingshot

Suitable for I2-1040 and I2-1041 table frames.

Replaces Incognito leg column to provide placement of powerboxes without frame interference.

Made to order to cater for specified powerbox requirements and size.

Provides 75mm clearance around powerbox to ensure fitment without frame interference.

Power/Data Beam

Suitable for I2-1000, I2-1001 and I2-1002 frames.

Suitable for I2-1010, I2-1011 and I2-1012 frames.

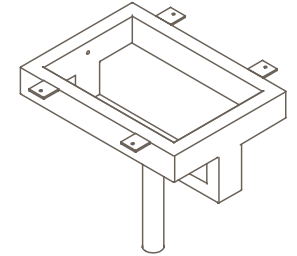
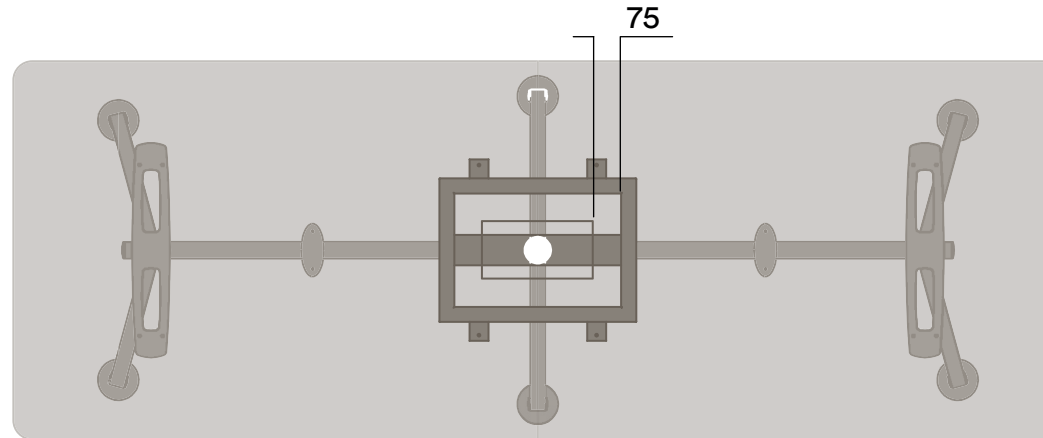
Replaces central rail to provide placement of powerboxes without frame interference.

Made to order to cater for specified powerbox requirements and size.

Provides 50mm clearance around powerbox to ensure fitment without frame interference.

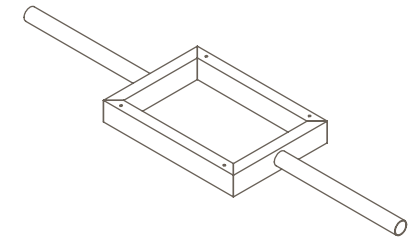
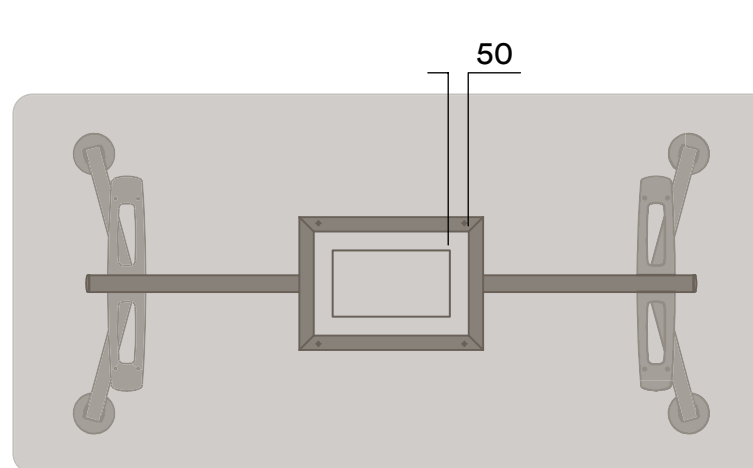
Powerbox Management

Slingshot



Powerbox Management

Power/Data Beam



Tables Features

Materials Information

Frame Finish

Steel Multi-Leg Spacer

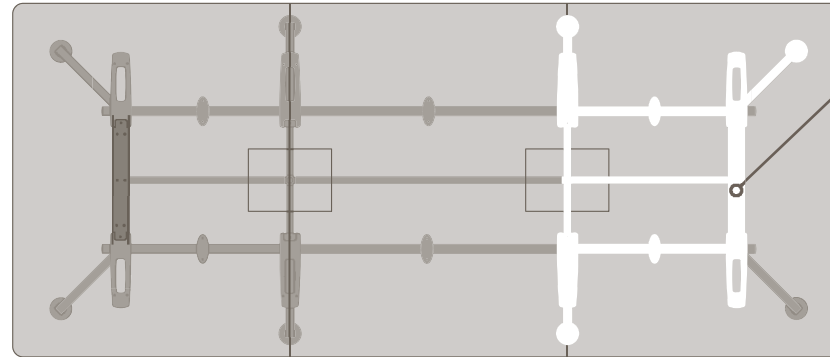
a. Black Powdercoat

Steel Outrigger

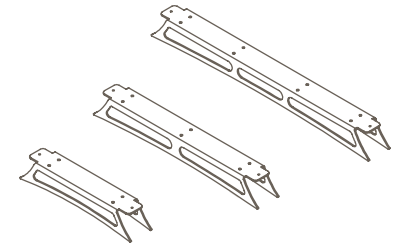
a. Black Powdercoat

Powerbox Management

Multi-Leg Spacers

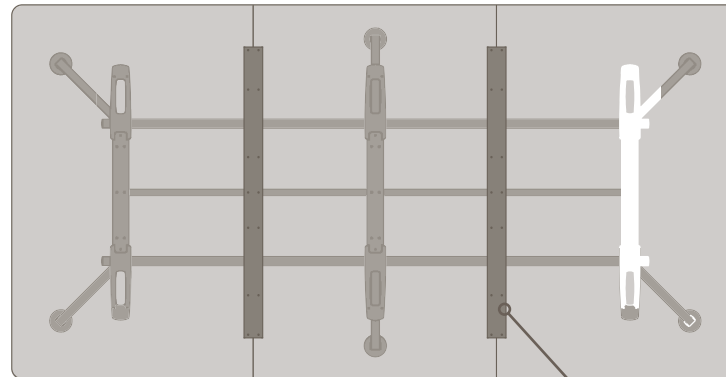


Multileg Spacer

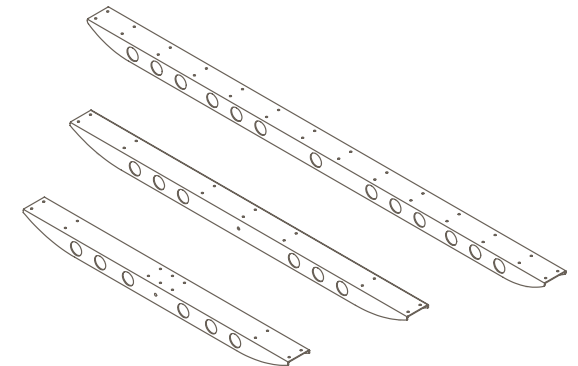


Worktop Management

Outriggers



Outrigger



Multi-leg Spacers

Provided with frame, spacers can be removed on-site to provide placement of powerboxes without frame interference.

Applies to all Multi-Leg Rectangle Frames.

Outriggers

Additional Outriggers can be purchased to provide adequate worktop support on odd worktop splits.

Outriggers available to suit SML, MED and LRG width Multi-Leg frames.



Specification

If you would like a sample set of any of our finishes, please call us on 61 (0)2 9726 7177 or e-mail at sales@thinkingw.com.

Due to our policy of continuous product development, specifications and finishes may change without prior notice.

Sustainability Policy

We realise the importance of responsible business practices and have in place numerous product and company sustainability certifications. We would encourage you to download our annual Sustainability Report from the Thinking Works website to get a full overview of our sustainability program.

Thinking Works
© Copyright 2018
All right reserved

Thinking Works
25 Helles Avenue
Moorebank
New South Wales 2170

www.thinkingw.com
61 (0)2 9726 7177
sales@thinkingw.com