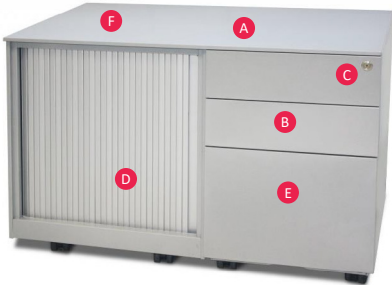
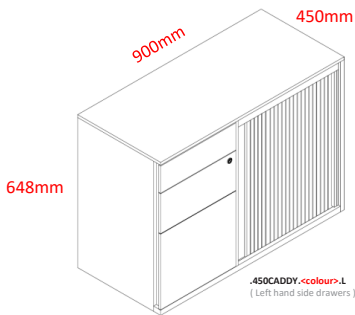


Absolutely beautiful with refined lines and high-style, the POP MOBILE CADDY offer more in practical features for today's office.



## Features

- A. Patented one-form technology and ANSI/BIFMA X5.3-2007 certified
- B. Full extension ball bearing sliders, each with maximum 35KG loading capacity
- C. Interchangeable key lock and barrel system
- D. Fennel tambour door system with Aluminum slammer rails and magnetic strip
- E. Environmentally friendly with 30% recycled raw material
- F. Subtle premium powder coat finish



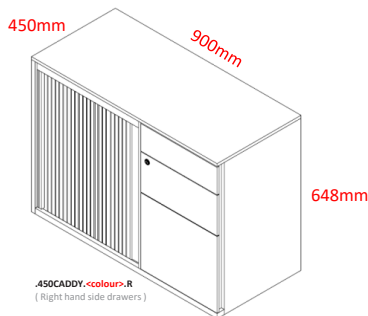
Premium power coat finish available stockexpress.®



< W >  
( Pearl white )



< PSP >  
( Precious silver pearl )



**Options:** Specified Powder coat to full unit | Specified Powder coat to drawer front and/or top panel only | Cushion top in local fabric